

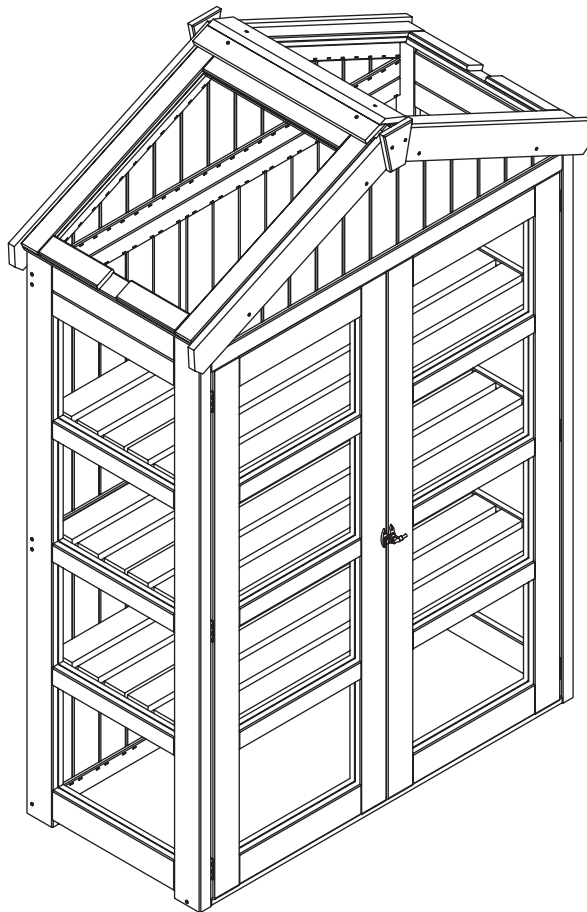


# Assembly Instructions

## Tall Botanical Greenhouse

Code: 37678

V2.10.23



(W x D x H) 1.40m x 0.68m x 2.08m



**ONLINE ASSEMBLY VIDEO AVAILABLE**

Please scan the QR code or visit [zestoutdoorliving.co.uk/assembly-search](https://zestoutdoorliving.co.uk/assembly-search)



**PLEASE KEEP THESE INSTRUCTIONS**



# Every Zest product is unique because each piece of timber has its own distinctive, natural features.

Zest sources all of its timber from responsibly-managed forests and everything it designs and produces meets the highest standards of sustainability. Zest ensures that all timber and timber-related products are certified to Programme for the Endorsement of Forest Certification (PEFC/16-37-1490).

This is vital not only for the health of the planet, but also shows Zest's commitment to the environment and to responsible sourcing. Timber is a natural material and, as such, will fit beautifully within any outdoor space. This also means that all Zest pieces are unique because every piece of timber has its own distinctive features.



## Natural and Unique...

Changes in temperature and humidity will cause expansion and contraction so Zest products need time to adjust to where the owners live. A few splits or cracks are part of the maturing process and will not affect strength or durability. Knots embedded in the wood are natural and tell the story of the tree which made them. Customers may notice variations in colour but, once out in the garden and exposed to the sun, colour and shading will even out.

Most Zest products are pressure treated which protects the timber from rot and means customers will be able to enjoy the products in their garden for many years.

Fresh pressure treatment sometimes leads to a small amount of green-spotting on the surface of new timber as the natural salt leaves the wood. This will fade away over time and is in no way detrimental to quality or durability.

Splits and cracks occur naturally in the timber grain due to changing temperatures and humidity levels. They are not usually a cause for concern as they don't affect the strength or durability of the product. If however, a 2p coin can fit into the split or crack there may be an issue so it should be reported to the retailer in writing with photographic evidence.

### The benefits of slow grown timber

“ Slow grown timber from Eastern Europe is ideal for timber garden furniture. It produces a stronger grain in the wood giving it more durability and is said to be as strong as some hard woods. ”



Normal splits are characteristics of timber.



Knots are characteristics of timber.



Sun Bleaching & Green Spotting are not causes for concern and they will fade over time when items are placed outdoors.



Should you find a large split or dead knot, please email a photo to your retailer for investigation.

# Tall Botanical Greenhouse Assembly Instructions

Requires 2 Person assembly

Tools required: Corded / Cordless Drill, Pozi-drive Bit / Screwdriver,  
3mm Drill Bit required in order for you to drill all screw holes before construction.

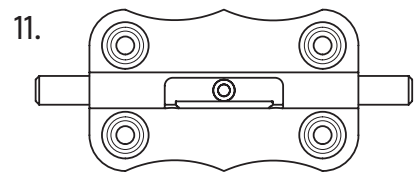
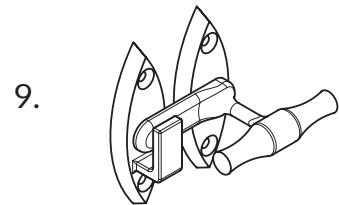
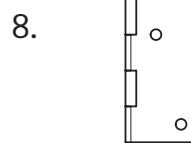
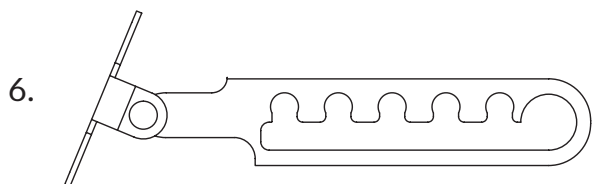
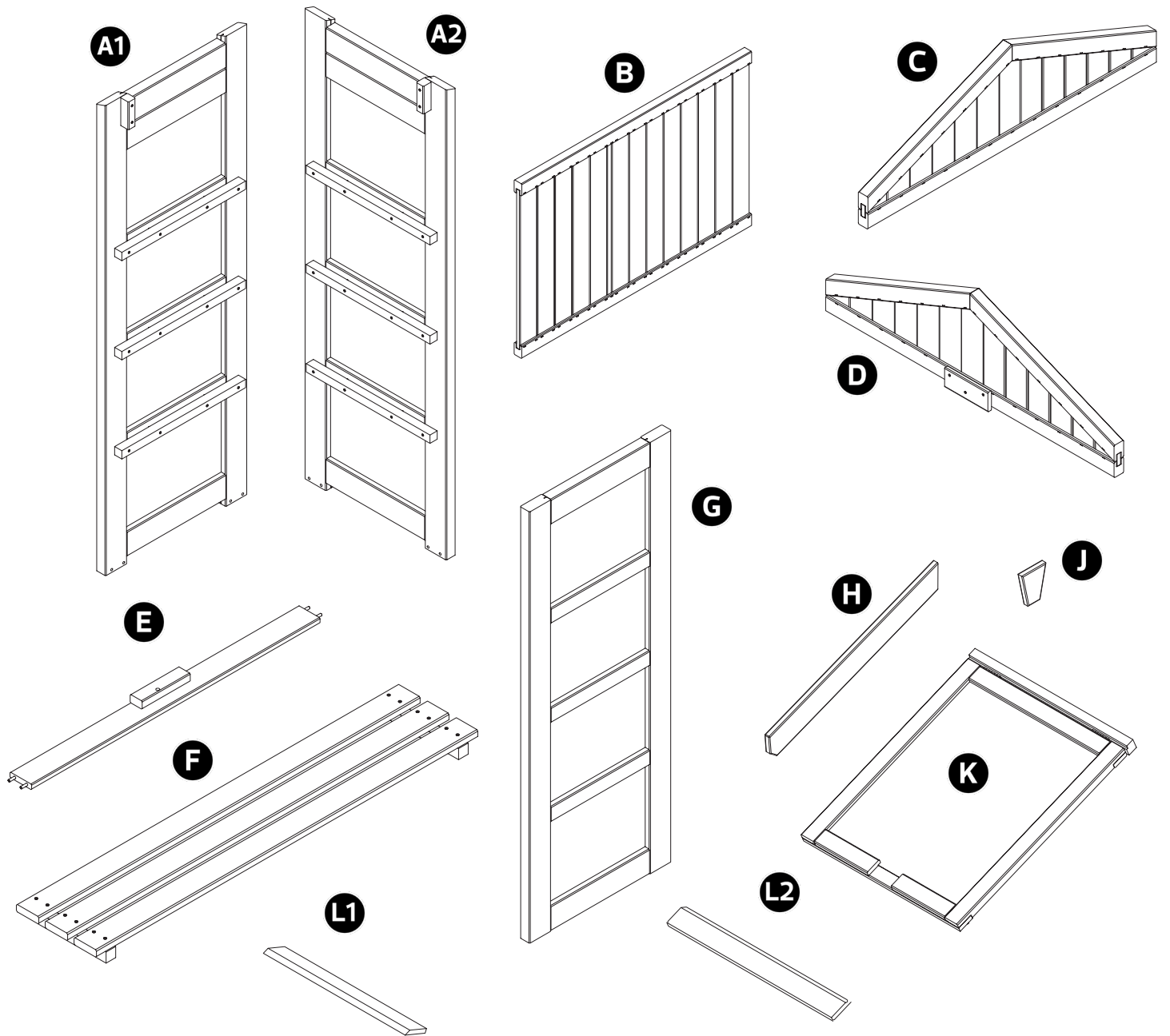
We Advise the product is situated on firm level ground and anchored to the ground or wall with suitable fixings (not supplied)

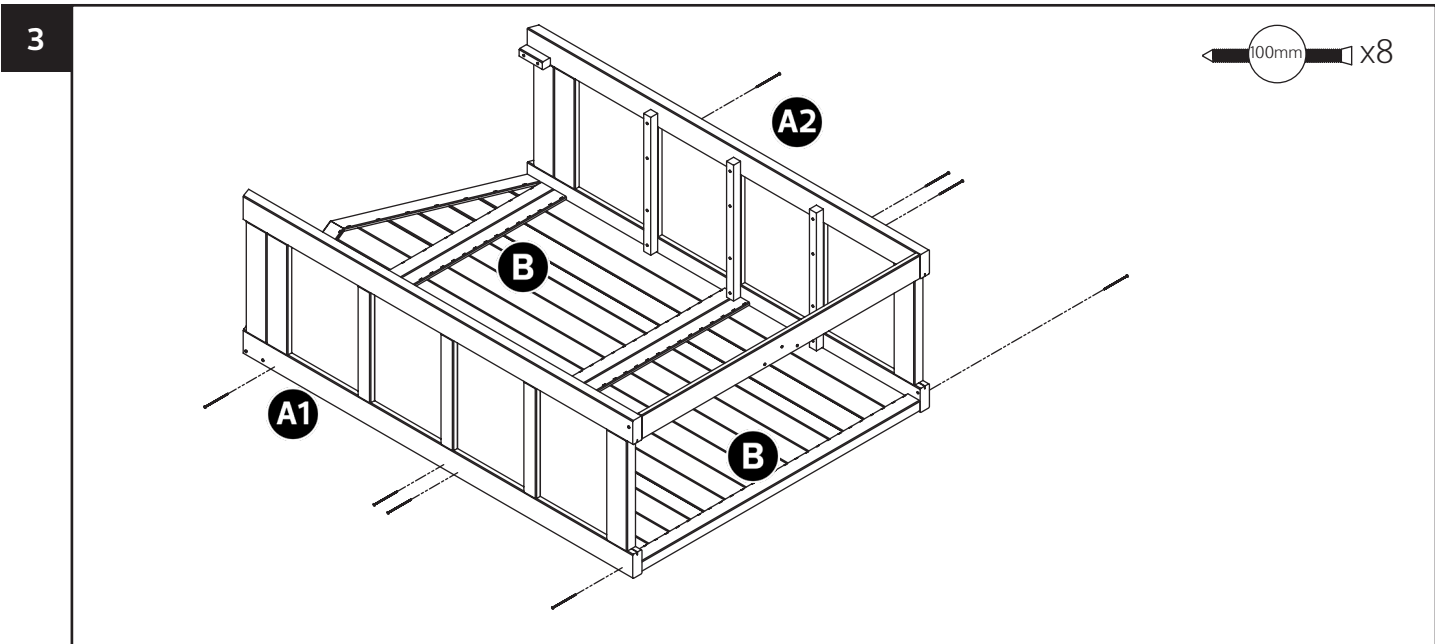
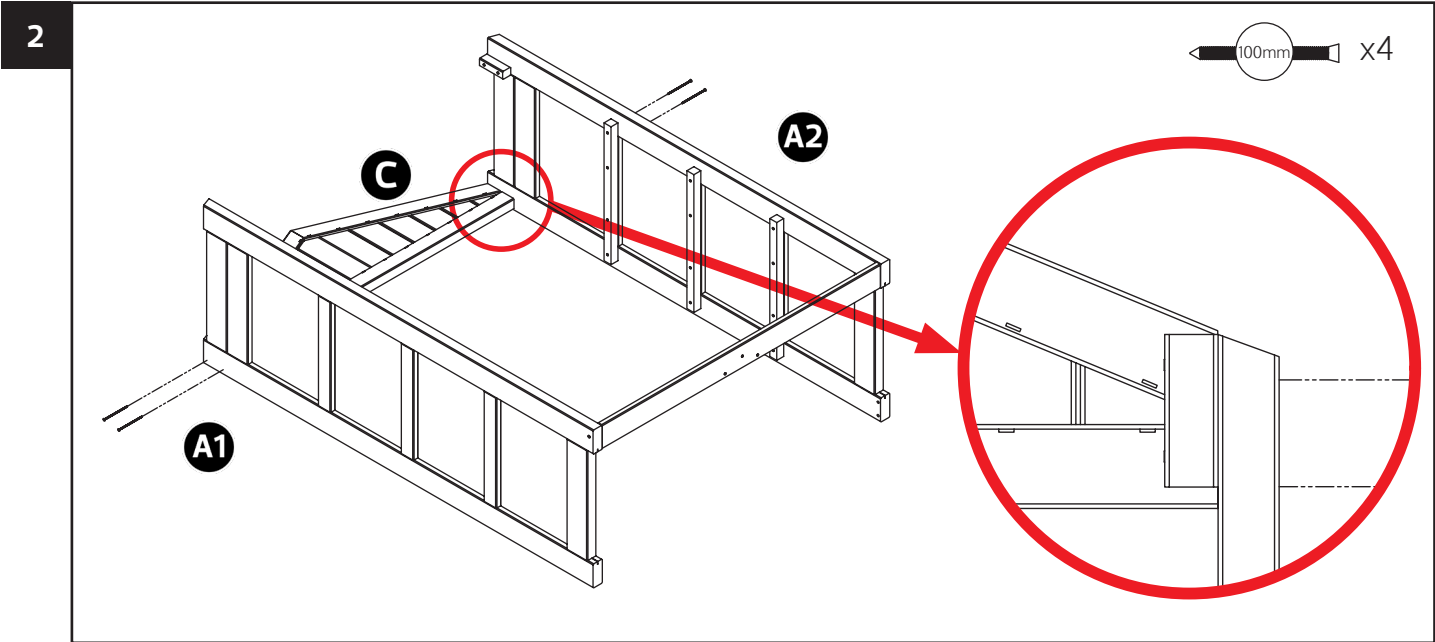
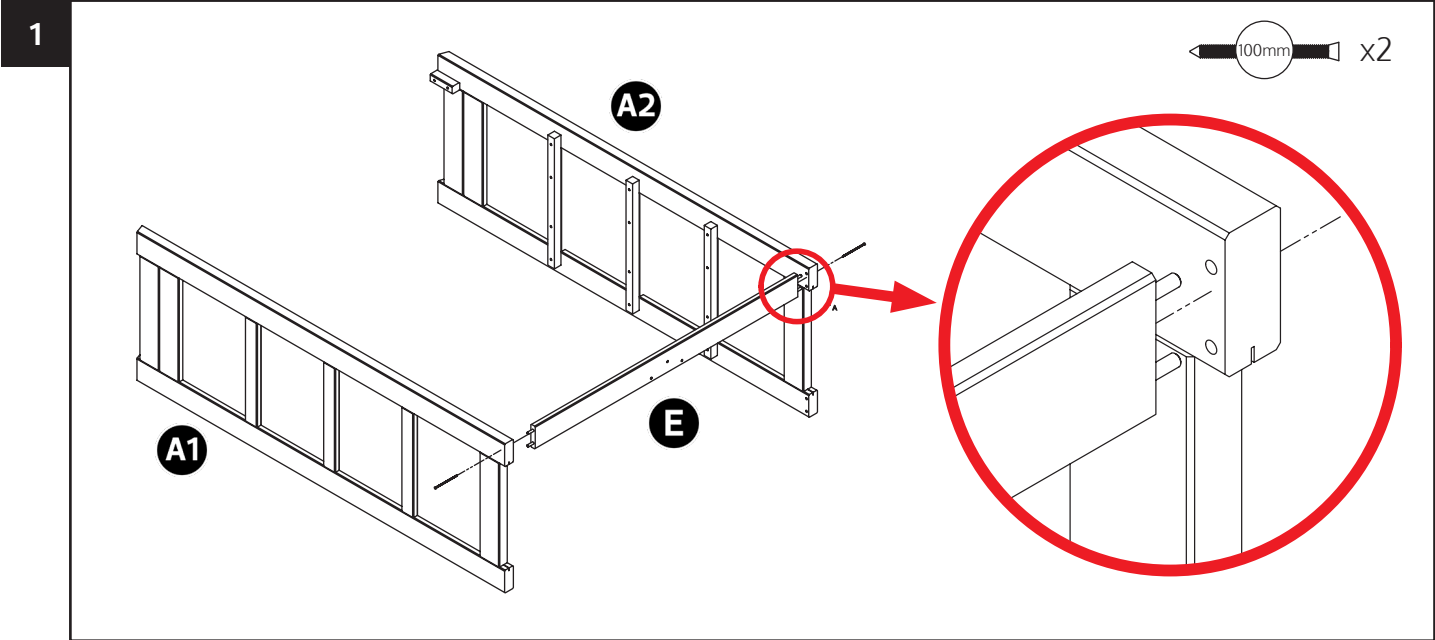
**Please take a few moments to check all pack contents listed**

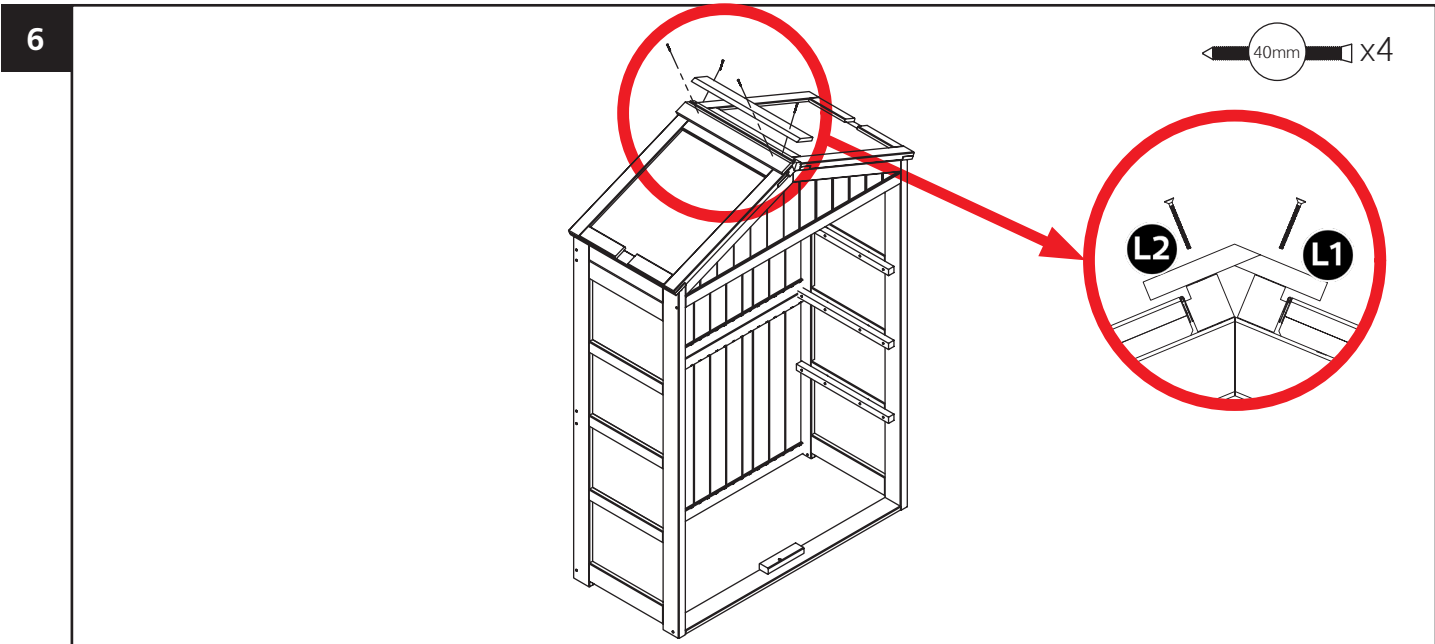
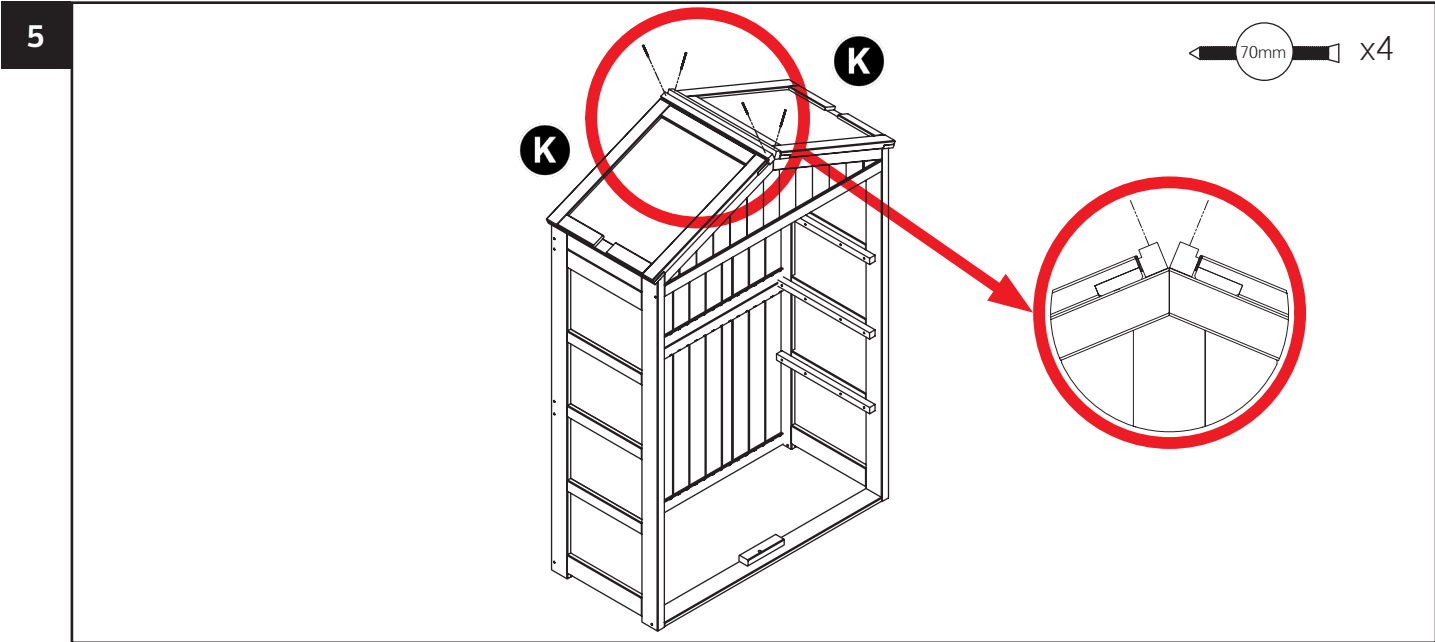
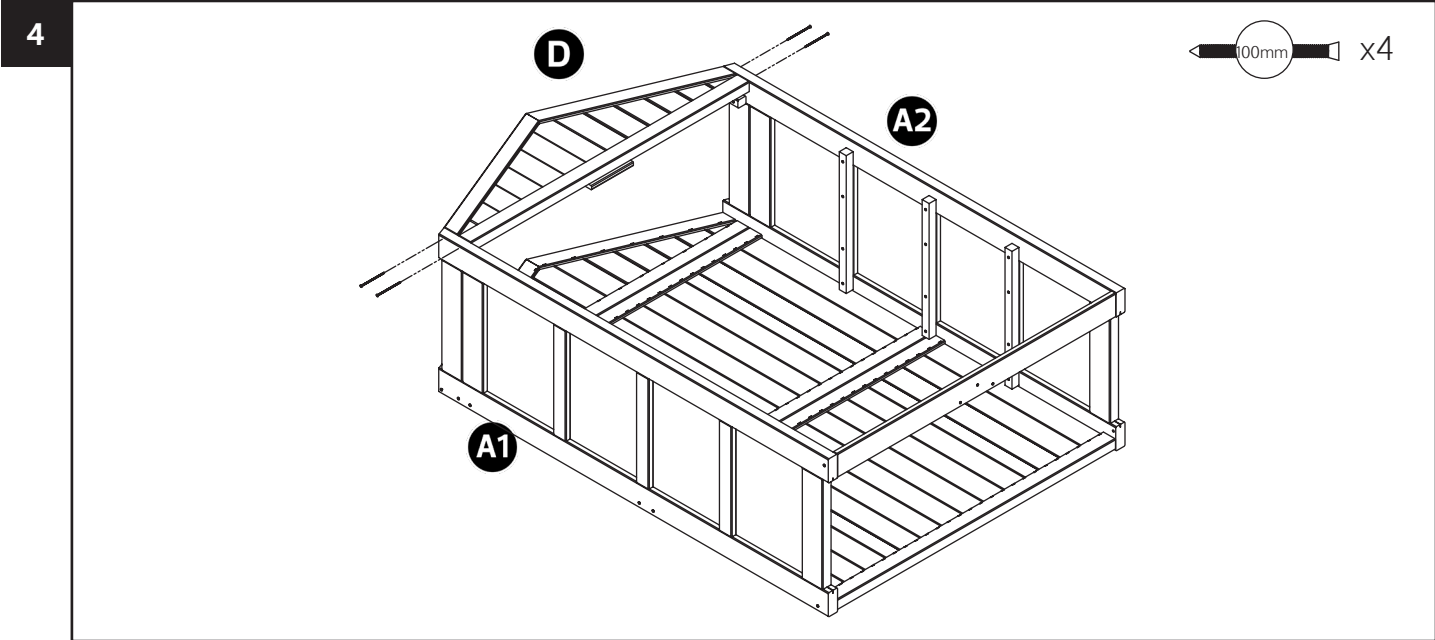
Tall Botanical Greenhouse Pack List			
Part Code	Item	Description	Quantity
37679	A1	Left Side Panel	1
40221	A2	Right Side Panel	1
37680	B	Back Panel	2
37681	C	Top Panel Back	1
37682	D	Top Panel Front	1
37683	E	Bottom Door Brace	1
37684	F	Shelf	6
37685	G	Door	2
37686	H	Fascia Board	4
37687	J	Finial	2
37688	K	Roof Panel	2
37689	L1	Roof Cap Large	1
37690	L2	Roof Cap Small	1

Code - 37691 Tall Botanical Greenhouse Fixings List		
Item	Description	Quantity
1	M4 x 100mm Screw	18
2	M3 x 70mm Screw	4
3	M3 x 40mm Screw	16
4	M3 x 25mm Screw	36
5	M3 x 20mm Screw	20
6	Top Window Height Adjuster	2
7	Top Window Height Adjuster Plate	2
8	Hinge	6
9	Door Catch	1
10	Door Bolt Plate	1
11	Door Bolt	1

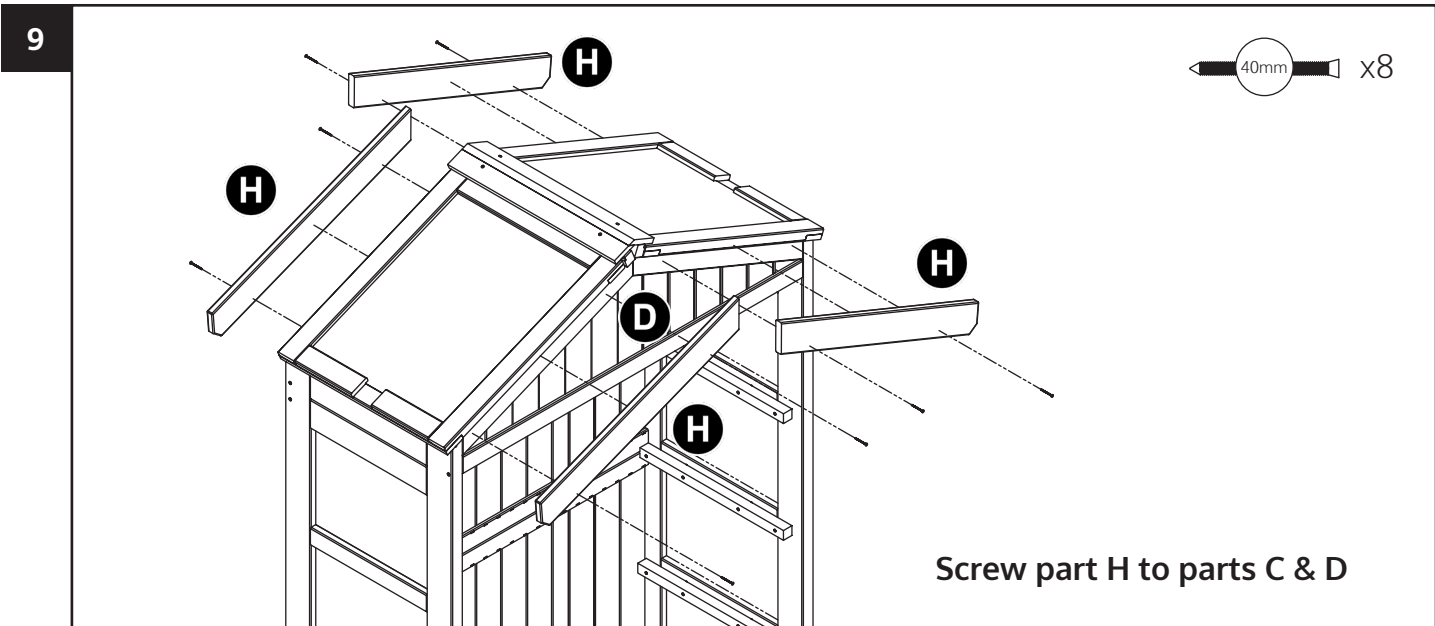
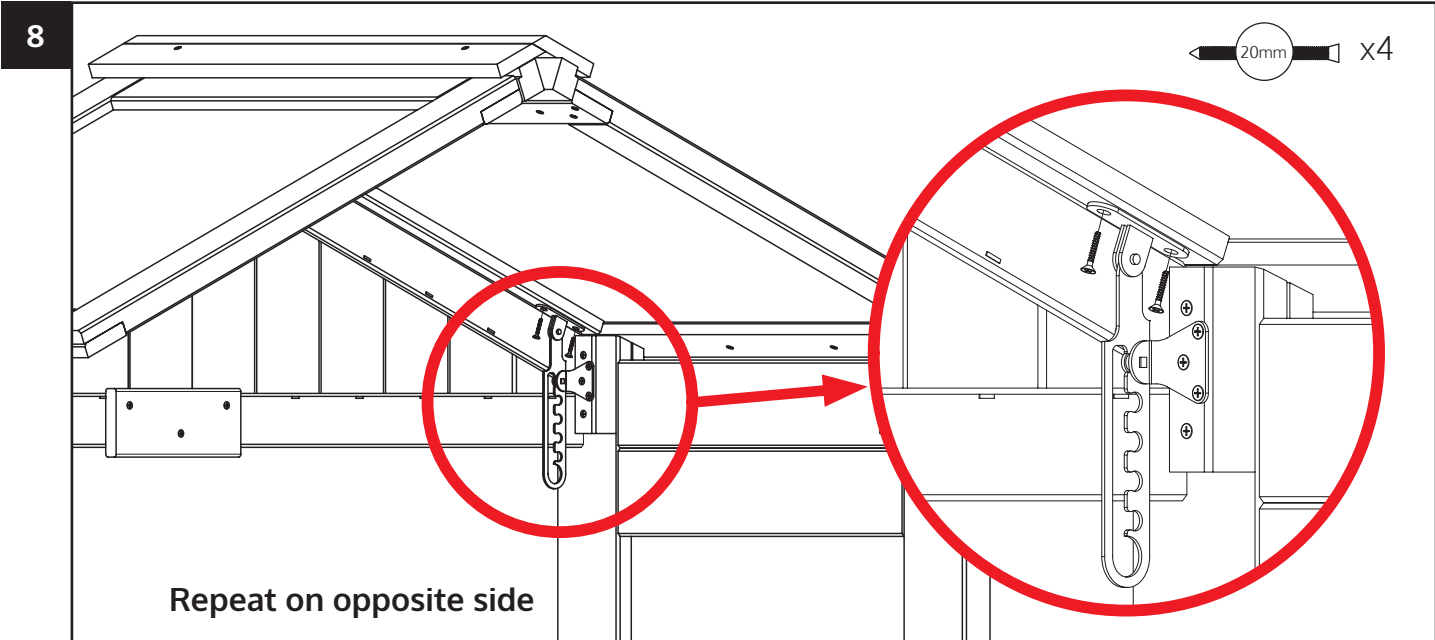
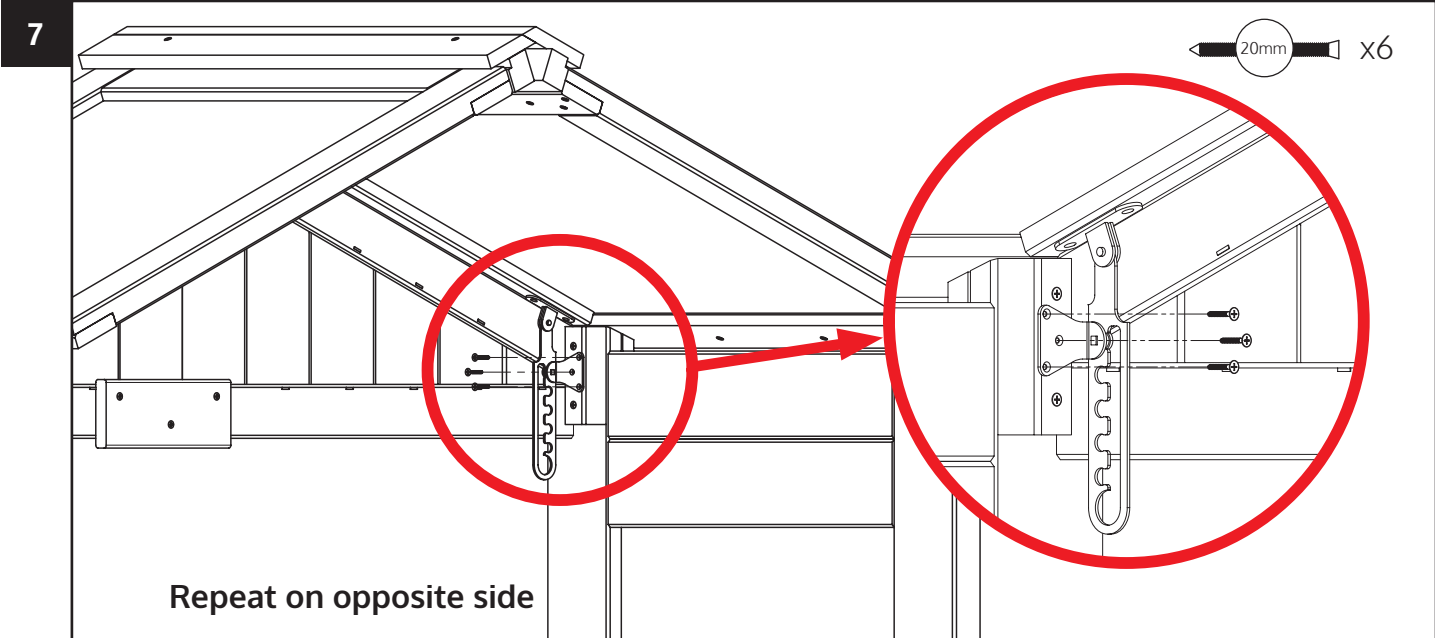
This product is made from pressure-treated timber. It should not be painted or coated with any other treatment until at least 6 months after purchase



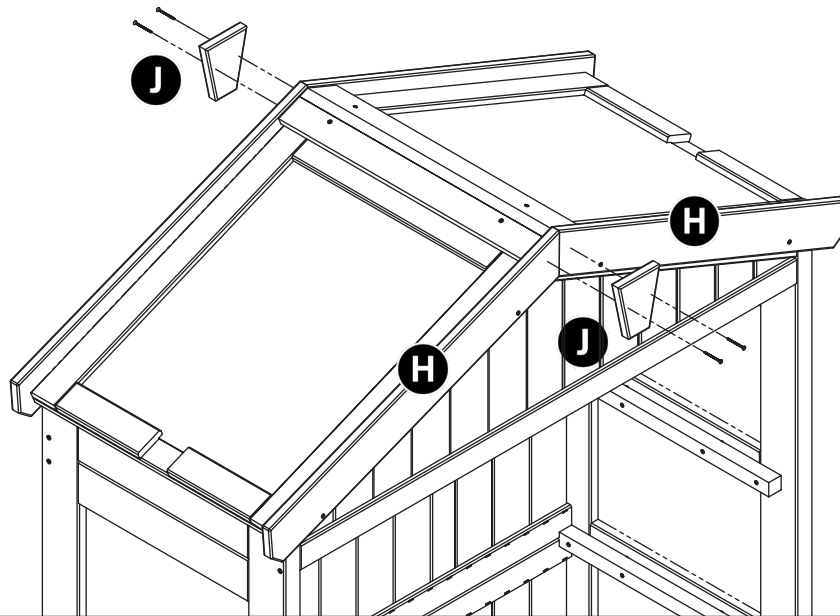






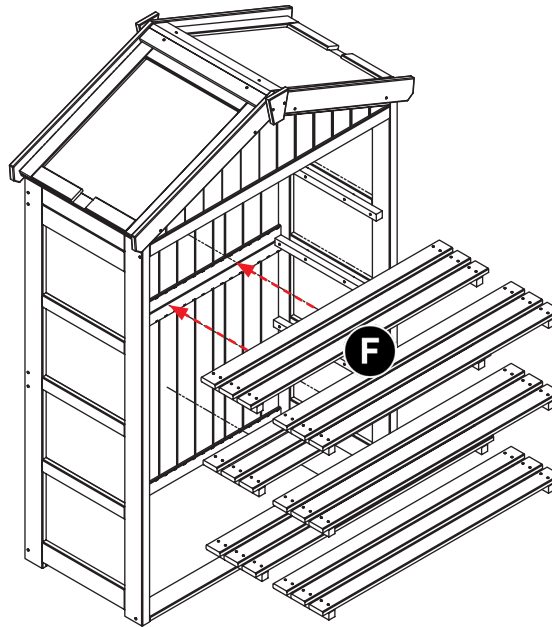


10



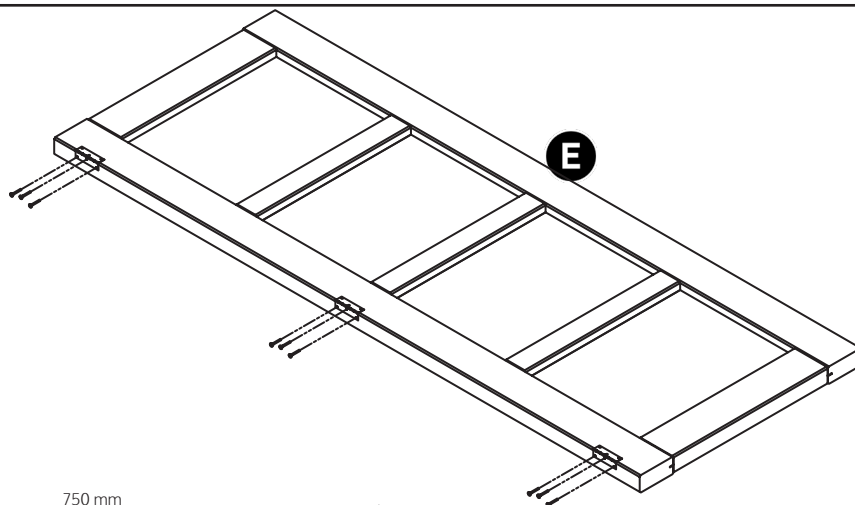
40mm x4

11

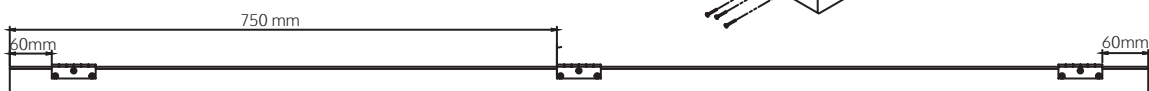


Slide part F onto side rails on parts A1 & A2

12



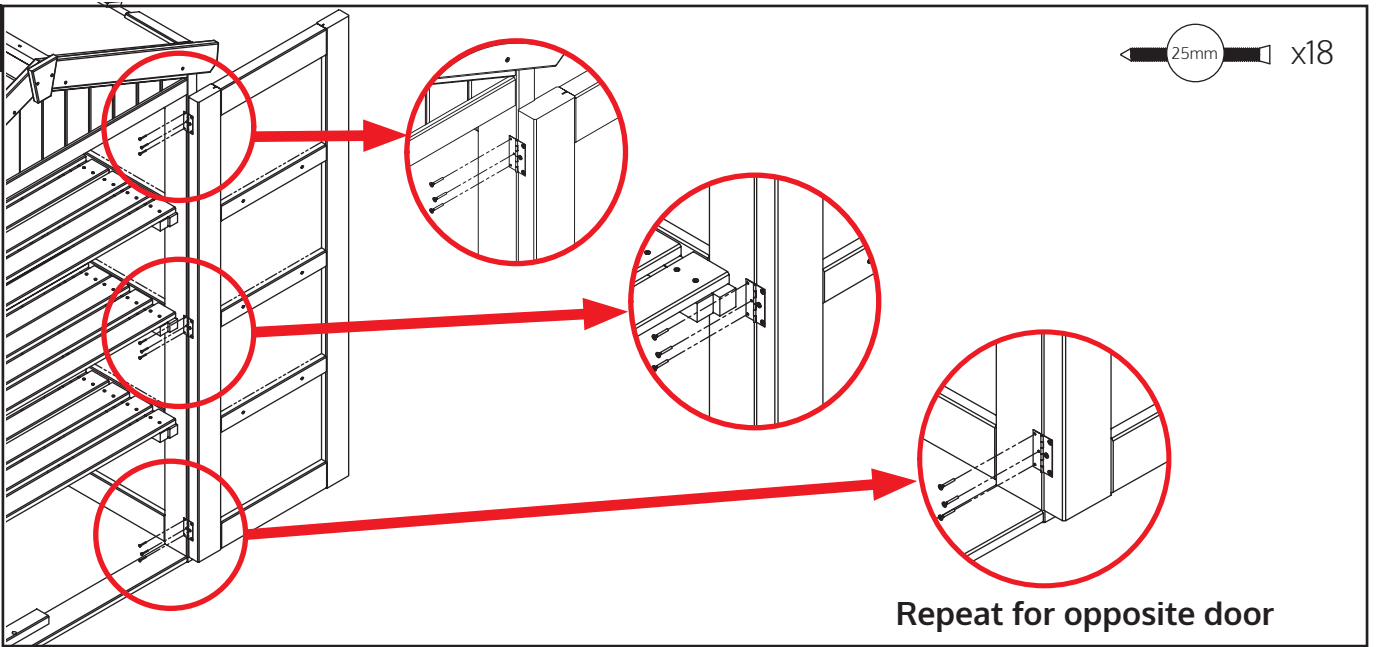
25mm x18



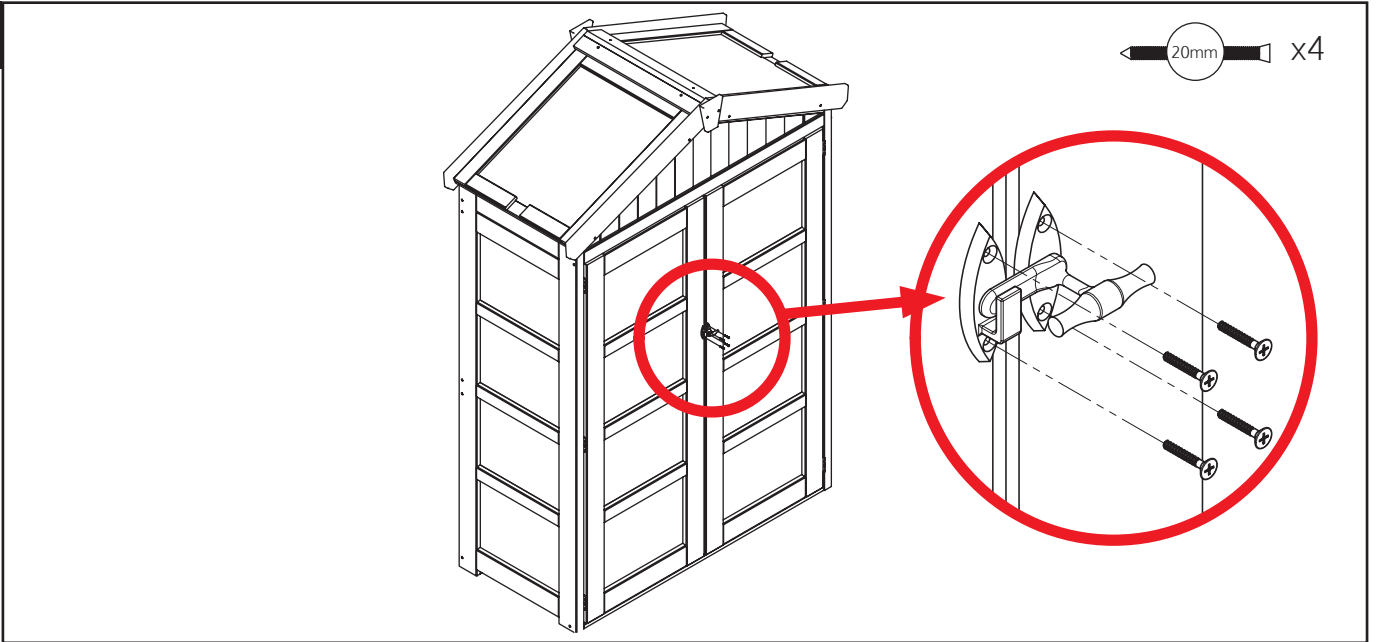
Repeat for opposite door



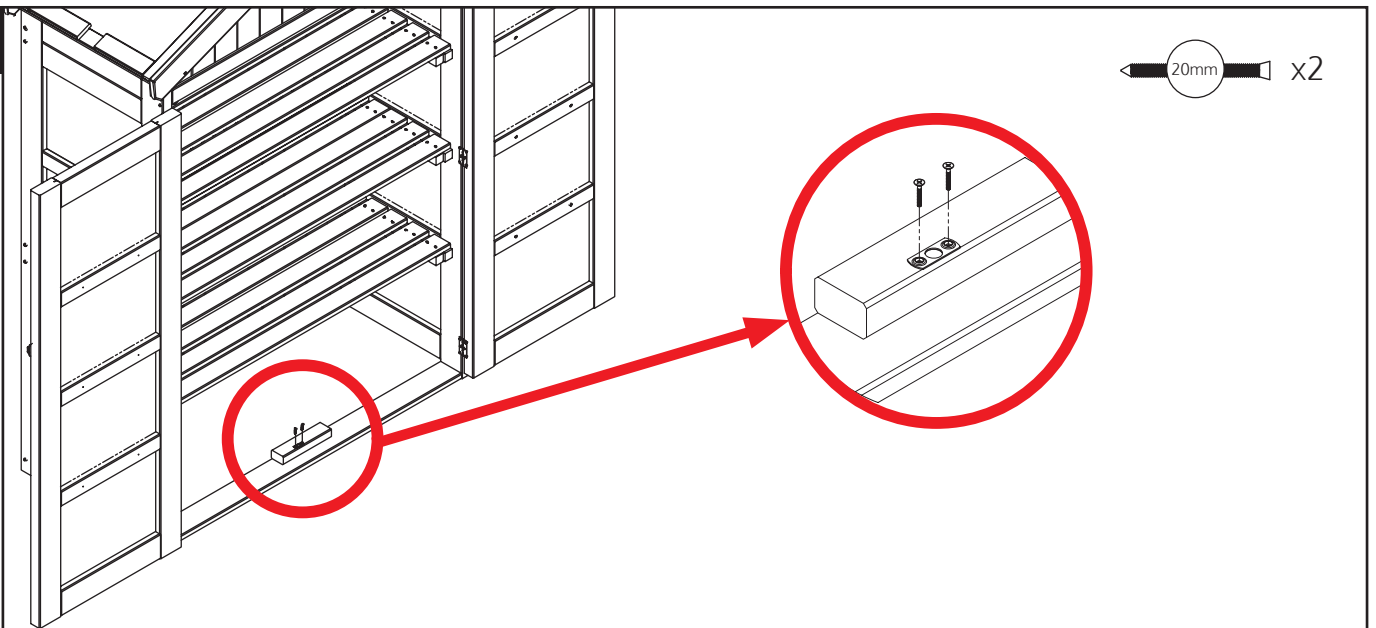
13



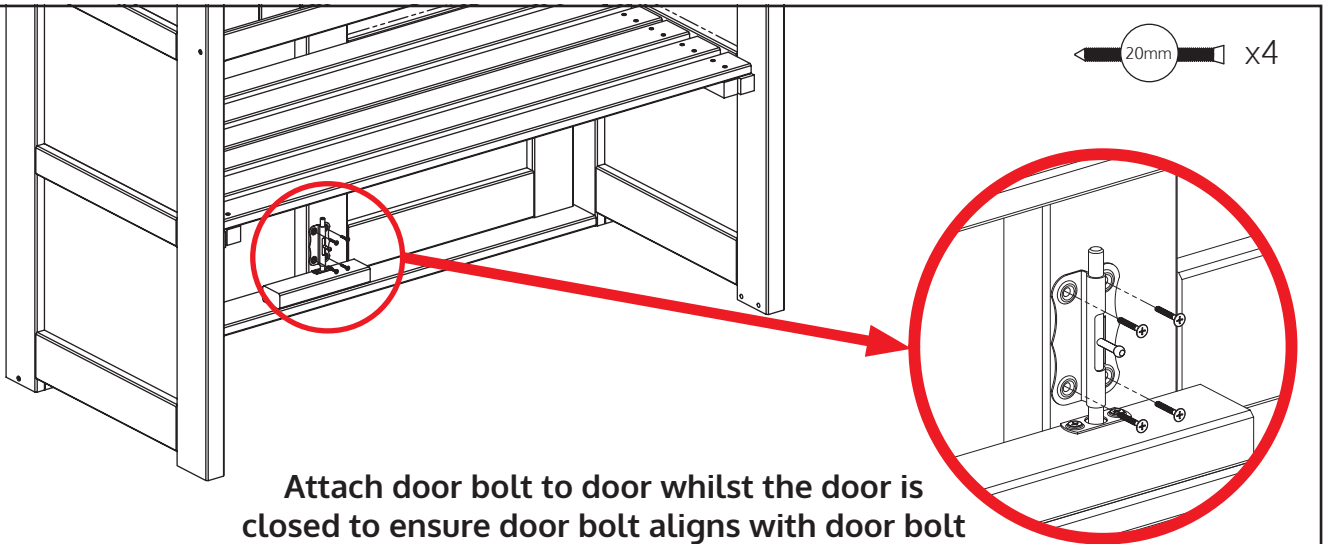
14



15

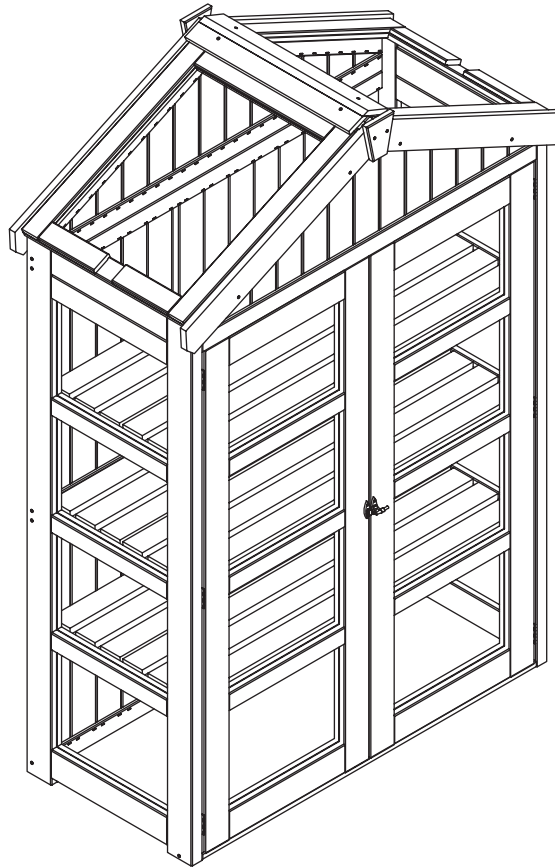


16



Attach door bolt to door whilst the door is closed to ensure door bolt aligns with door bolt plate when closed

14



Your Tall Botanical Greenhouse is now complete.

#### Tall Botanical Greenhouse Perspex Replacements

Code	Description
40222	ROOF PERSPEX
40223	SIDE/FRONT PERSPEX